



HASBERG

PRECISION THICKNESS
GAGE STRIPS & SHEETS

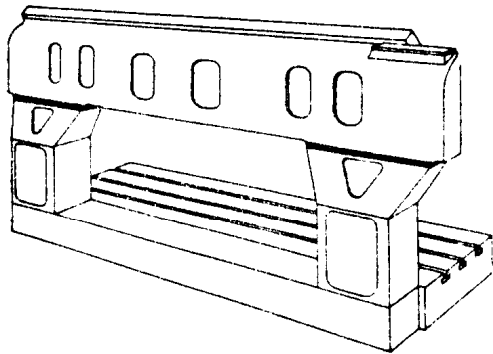
STAINLESS & BRASS
GAGE STRIPS & SHEETS

CALIBRATED SHIM SHEETS
FROM 0.005 mm TO 2.00 mm

AVAILABLE IN MANY DIFFERENT TYPES

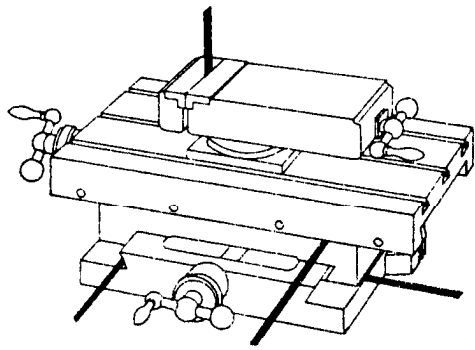
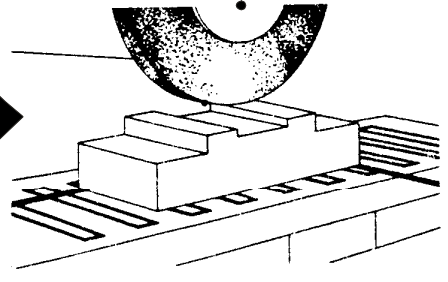
HASBERG Precision Thickness Gage Strip is an indispensable aid in production, assembly and quality control work. It is an essential element of a properly equipped tool room.

HASBERG Precision Thickness Gage strip is used as a shim as well as a feeler gage in aligning and adjusting machine components in production and assembly work, in jig and tool manufacturing, in tolerance measuring operations of every description, in checking fits such as dovetail guides, in scraping and shaving work and assembling precision parts, in adjusting inking and printing rollers, in aligning profiling templates for profile grinders, in checking valve clearances and spark plug gaps, and in an infinity of other uses.



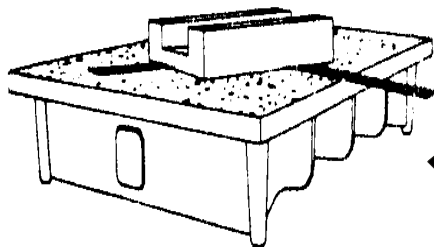
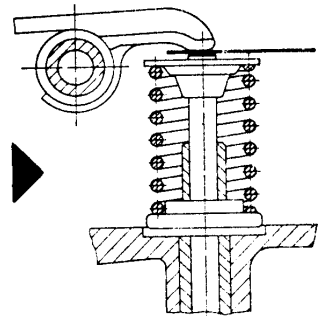
as shims and liners in assembling operations

for aligning the workpiece on surface grinders, milling cutters and planers



for checking dovetail guides and fits

for adjusting the valve clearance



as check foil in shaving or scraping precision parts

NON-STANDARD & SPECIAL PRODUCTS

Non-standard and special shapes, sizes and custom designs are also available in all 3 materials: steel, stainless steel, and brass. Please contact us for a quotation.