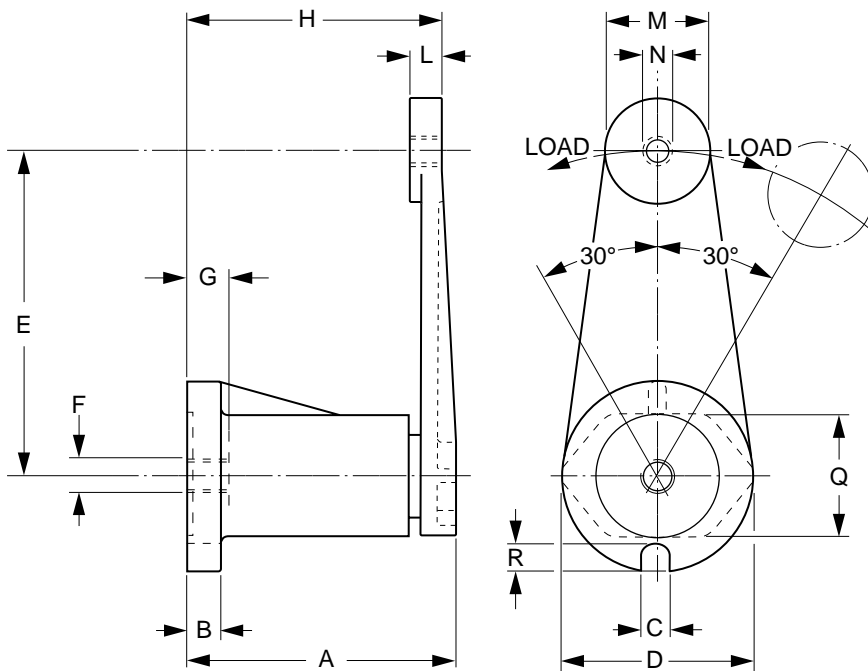


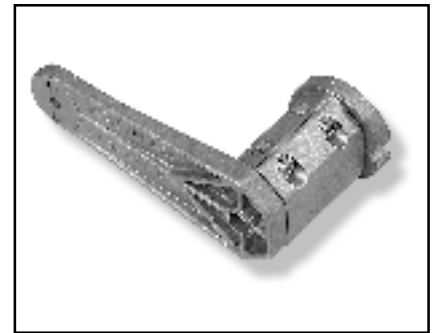


RH Type Tensioner Arm

Spring-Loaded



Automatically keeps the tension constant.



See pages 52 thru 56 for available heads.

MATERIAL: Arm – High-Tensile Die-Cast Aluminum Alloy

Catalog Number	Load (N)		A ±1	B	C	D	E	F	G	H ±1	L	M	N	Q	R
	Min	Max													
QTA-RH111M08 QTA-RH111M10 QTA-RH111M12	0	100	55	6	8	35	80	M6	8.5	51	8	22	M8 M10 M12	22	5
QTA-RH155M10 QTA-RH155M12	0	150	69	8	8.5	45	100	M8	10.5	64	8	28	M10 M12	30	6
QTA-RH188M10 QTA-RH188M12	0	300	83	10.5	8.5	58	100	M10	13	78	10	32	M10 M12	37	8
QTA-RH277M10 QTA-RH277M12 QTA-RH277M16	0	900	114	15	10.5	78	130	M12	17	107	12	50	M10 M12 M16	53	10

NOTE: Select N dimension to match the mounting bolt of the selected head (See pages 53 thru 56).

All dimensions are in mm unless otherwise noted.

QTC, Econobelt & Zetasassi products are available from: MARYLAND METRICS
P.O.Box 261 Owings Mills, MD 21117 USA E-mail: sales@mdmetric.com
phones: (410)358-3130 (800)638-1830 faxes: (410)358-3142 (800)872-9329 url: http://mdmetric.com
 copyright 2003 maryland metrics/qtc/econobelt/zetasassi