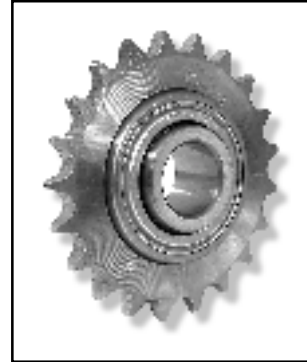
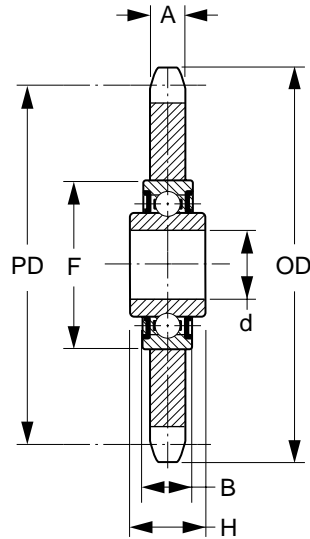


# AC Type Idler Sprockets



**MATERIAL:** Steel

Catalog Number	Pitch	No. of Teeth	OD	PD	A	d	F	B	H
QCT-H-AC03	3/8" x 7/32"	21	68	63.9	5.3	16 <sup>+0.26</sup> <sub>+0.13</sub>	40	12	18.3
QCT-H-AC04	1/2" x 5/16"	16	69.5	65.1	7.2				
QCT-H-AC05	5/8" x 3/8"	17	93	83.39	9.1				
QCT-H-AC06	3/4" x 7/16"	15	99.8	91.63	11.1	20 <sup>+0.01</sup>	47	14	17.7
QCT-H-AC08	1" x 17 mm.	12	109	98.14	16.2				

**NOTE:** Washers, nut and bolt supplied with sprocket.

All dimensions are in mm unless otherwise noted.

QTC, Econobelt & Zetasassi products are available from: **MARYLAND METRICS**  
P.O.Box 261 Owings Mills, MD 21117 USA E-mail: [sales@mdmetric.com](mailto:sales@mdmetric.com)  
phones: (410)358-3130 (800)638-1830 faxes: (410)358-3142 (800)872-9329 url: <http://mdmetric.com>  
copyright 2003 maryland metrics/qtc/econobelt/zetasassi