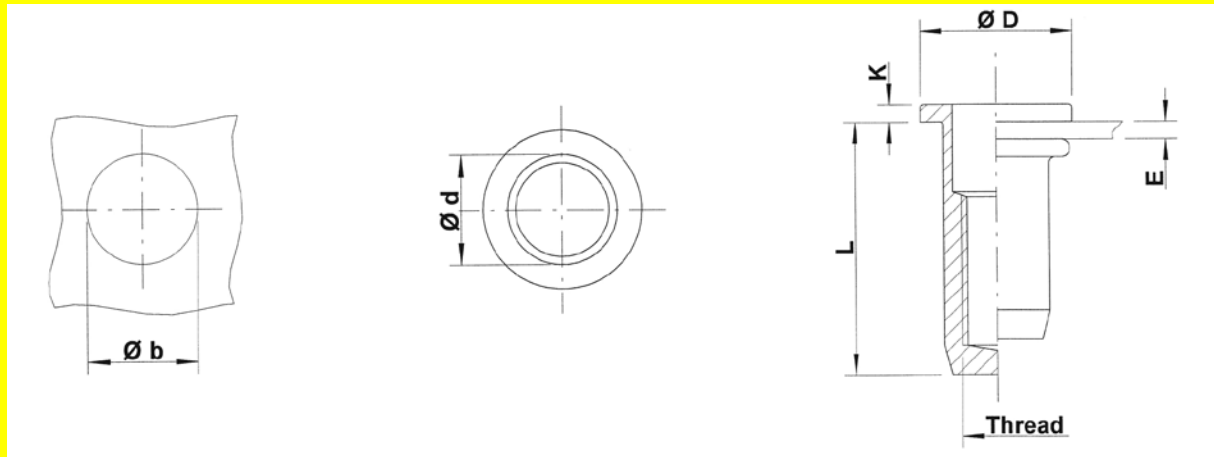


TUBTARA®

Aluminium

Flat head
Round shank
Closed end

UPX



Aluminium

THREAD	TYPE	E = grip	L	b ^{+0,1} = drill dia	d = shank dia	D	K	kg/1000	ORDER CODE	BOX Q
M3	UPX20	0,5-2,0	13,25	5,0	5,0	8,0	0,75	0,5	513 400*	7500
M4	UPX30	0,5-3,0	14,75	6,0	6,0	10,0	0,75	0,7	514 200	5000
	UPX45	3,0-4,5	16,25					0,7	514 225*	4000
M5	UPX30	0,5-3,0	18,0	7,0	7,0	11,0	1,0	1,1	515 175	2500
	UPX55	3,0-5,5	20,5					1,2	515 200*	2500
M6	UPX30	0,5-3,0	21,5	9,0	9,0	13,0	1,5	2,3	516 175	1500
	UPX55	3,0-5,5	24,5					2,5	516 200*	1500
M8	UPX30	0,5-3,0	22,5	11,0	11,0	16,0	1,5	3,5	518 125	750
	UPX55	3,0-5,5	25,5					3,9	518 150*	750

* **Non-stock item:** minimum order quantity required after depletion of stock

All dimensions in mm

Technical data subject to modification

