

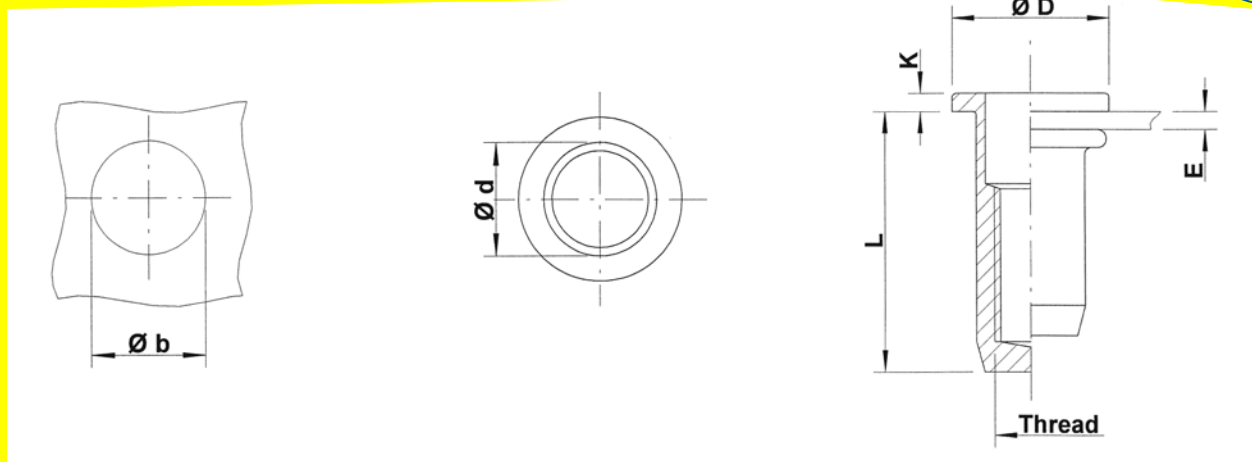
TUBTARA®

Stainless Steel 316
(contains > 2% Molybden)

extra high
corrosion resistance

Flat head
Round shank
Closed end

UPX



THREAD	TYPE	E = grip	L	b ^{+0,1} = drill dia	d = shank dia	D	K	kg/1000	ORDER CODE	BOX Q
M4	UPX20	0,5-2,0	15,0	6,0	6,0	9,0	1,0	2,2	554 110	-
M5	UPX30	0,5-3,0	17,5	7,0	7,0	10,0	1,0	3,0	555 180	1500
M6	UPX30	0,5-3,0	21,5	9,0	9,0	12,0	1,5	6,6	556 100	750
M8	UPX30	0,5-3,0	23,5	11,0	11,0	15,0	1,5	9,9	558 065	1000

M10: programme in progress

Availability & other versions: please contact our Sales Department

All dimensions in mm

Technical data subject to modification

Stainless Steel 316

